

CROMPTON INSTRUMENTS MINIATURE SPLIT CORE CURRENT TRANSFORMERS



OFFERS PRIMARY CURRENTS BETWEEN 60-500 A WITH 1 OR 5 A SECONDARIES WITH CLASS 1 ACCURACY PERFORMANCE.

KEY FEATURES

- Cost effective moulded case
- Ratio's ranging from 60/1 to 500/5
- Fast cable clamp connection
- Multiple fixing options
- Safety plug in shorting link

A range of miniature split core current transformers that offers a cost effective and efficient method by which the current can be measured without the need to break the conductor, each current transformer is supplied with colour coded leads of up to 3 meters for connection to the monitoring device.

The MSC range of current transformers offers primary currents between 60-500 A with 1 or 5 A secondaries with class 1 accuracy performance. (Class 3 for 60-80 A range).

APPLICATIONS

- Switchgear distribution systems
- Energy/Building
- Management Systems

RELEVANT STANDARDS AND TEST REPORTS

- IEC/EN 60044-1

ORDERING INFORMATION

Part number	Ratio	Class	Burden VA	Aperture	Lead length	Case	Wire colour	Approx. weight
MSC1-60/1	60/1	3	0.1	18 mm	3 m	Size 1	White S1 and Black S2	57.3, 31, 53, 18
MSC1-75/1	75/1	3	0.1	18 mm	3 m	Size 1	White S1 and Black S2	57.3, 31, 53, 18
MSC1-80/1	80/1	3	0.15	18 mm	3 m	Size 1	White S1 and Black S2	57.3, 31, 53, 18
MSC1-100/1	100/1	1	0.2	18 mm	3 m	Size 1	White S1 and Black S2	57.3, 31, 53, 18
MSC2-100/1	100/1	1	1	18 mm	3 m	Size 2	White S1 and Black S2	72.7, 44.5, 61.5, 18
MSC2-100/5	100/5	1	1	18 mm	1 m	Size 2	White S1 and Black S2	72.7, 44.5, 61.5, 18
MSC2-150/1	150/1	1	1	18 mm	3 m	Size 2	White S1 and Black S2	72.7, 44.5, 61.5, 18
MSC2-150/5	150/5	1	1	18 mm	1 m	Size 2	White S1 and Black S2	72.7, 44.5, 61.5, 18
MSC2-200/1	200/1	1	1	18 mm	3 m	Size 2	White S1 and Black S2	72.7, 44.5, 61.5, 18
MSC2-200/5	200/5	1	1	18 mm	1 m	Size 2	White S1 and Black S2	72.7, 44.5, 61.5, 18
MSC2-250/1	250/1	1	1	18 mm	3 m	Size 2	White S1 and Black S2	72.7, 44.5, 61.5, 18
MSC2-250/5	250/5	1	1	18 mm	1 m	Size 2	White S1 and Black S2	72.7, 44.5, 61.5, 18
MSC3-300/1	300/1	1	1.5	28 mm	3 m	Size 3	White S1 and Black S2	71.7, 44.5, 62.2, 28
MSC3-300/5	300/5	1	1.5	28 mm	1 m	Size 3	White S1 and Black S2	71.7, 44.5, 62.2, 28
MSC3-400/1	400/1	1	2.5	28 mm	3 m	Size 3	White S1 and Black S2	71.7, 44.5, 62.2, 28
MSC3-400/5	400/5	1	2.5	28 mm	1 m	Size 3	White S1 and Black S2	71.7, 44.5, 62.2, 28
MSC3-500/1	500/1	1	2.5	28 mm	3 m	Size 3	White S1 and Black S2	71.7, 44.5, 62.2, 28
MSC3-500/5	500/5	1	2.5	28 mm	1 m	Size 3	White S1 and Black S2	71.7, 44.5, 62.2, 28

DIMENSIONAL INFORMATION & CONNECTION DIAGRAM

ACCESSORIES

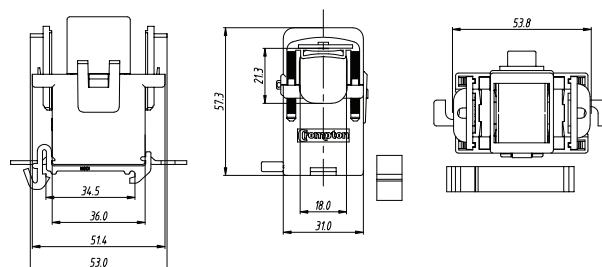


Shorting link for safe installation, (CT will not operate until removed).

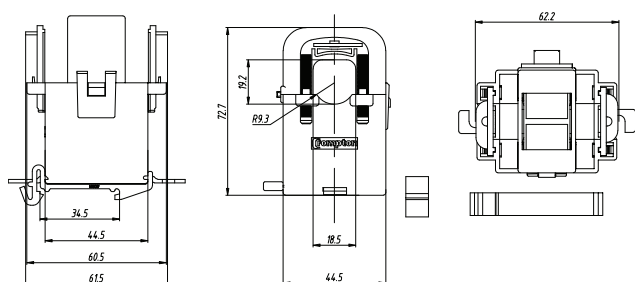


Fixing kit supplied

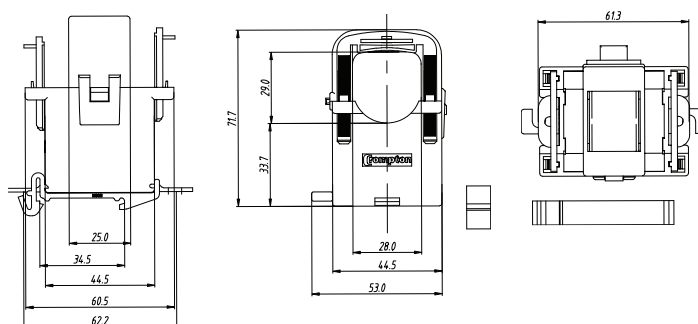
MSC1



MSC2



MSC3



TECHNICAL SPECIFICATIONS

SPECIFICATIONS	
System voltage	720 V maximum
Test voltage	3 kV for 1 minute
System frequency	50 Hz or 60 Hz
Primary ratings	60 A to 500 A
Short circuit thermal current	60 x rated primary current (I _{th}): for 1 sec
Overload withstand	1.2 x rated current continuously
Rated dynamic current	= 2.55 x I _{ht}
Secondary leads	1A, (length 3 m), 5 A (length 1 m) 2.5 mm wire
Enclosure	Flame retardant grade classified UL 94V-O
Aperture holes centres	18mm up to 250 A, 28 mm from 300 A - 500 A
Operating temperature	-20°C to +70°C
Accuracy class	1, 3
Compliant with	IEC/EN 60044-1

FOR MORE INFORMATION:

TE Technical Support Centres

Learn more: [TE.com/energy](https://www.te.com/energy)

© 2024 TE Connectivity. All Rights Reserved. EPP-2157-12/18

TE, TE Connectivity, TE connectivity (logo), EVERY CONNECTION COUNTS, are trademarks owned or licensed by TE Connectivity. Other logos, product and company names mentioned herein may be trademarks of their respective owners. While TE has made every reasonable effort to ensure the accuracy of the information in this brochure, TE does not guarantee that it is error-free, nor does TE make any other representation, warranty or guarantee that the information is accurate, correct, reliable or current. TE reserves the right to make any adjustments to the information contained herein at any time without notice. TE Connectivity's obligations shall only be as set forth in TE Connectivity's Standard Terms and Conditions of Sale for this product and in no case will TE Connectivity be liable for any incidental, indirect or consequential damages arising out of the sale, resale, use or misuse of the product. TE expressly disclaims all implied warranties regarding the information contained herein, including, but not limited to, any implied warranties of merchantability or fitness for a particular purpose. The dimensions, specifications, and/or information contained herein are for reference purposes only and are subject to change without notice. Consult TE for the latest dimensions, specifications, and/or information. Users of TE Connectivity products should make their own evaluation to determine the suitability of each such product for the specific application.

Connect with us:
[TE.com/energy](https://www.te.com/energy)